

Lexus 5Speed A650E Gearbox Drawing

File Name: Lexus 5sp Drawing

Last Changed: 12/02/2015

Harness Required: T01-P1 V2 , M02-P2, T03-P3

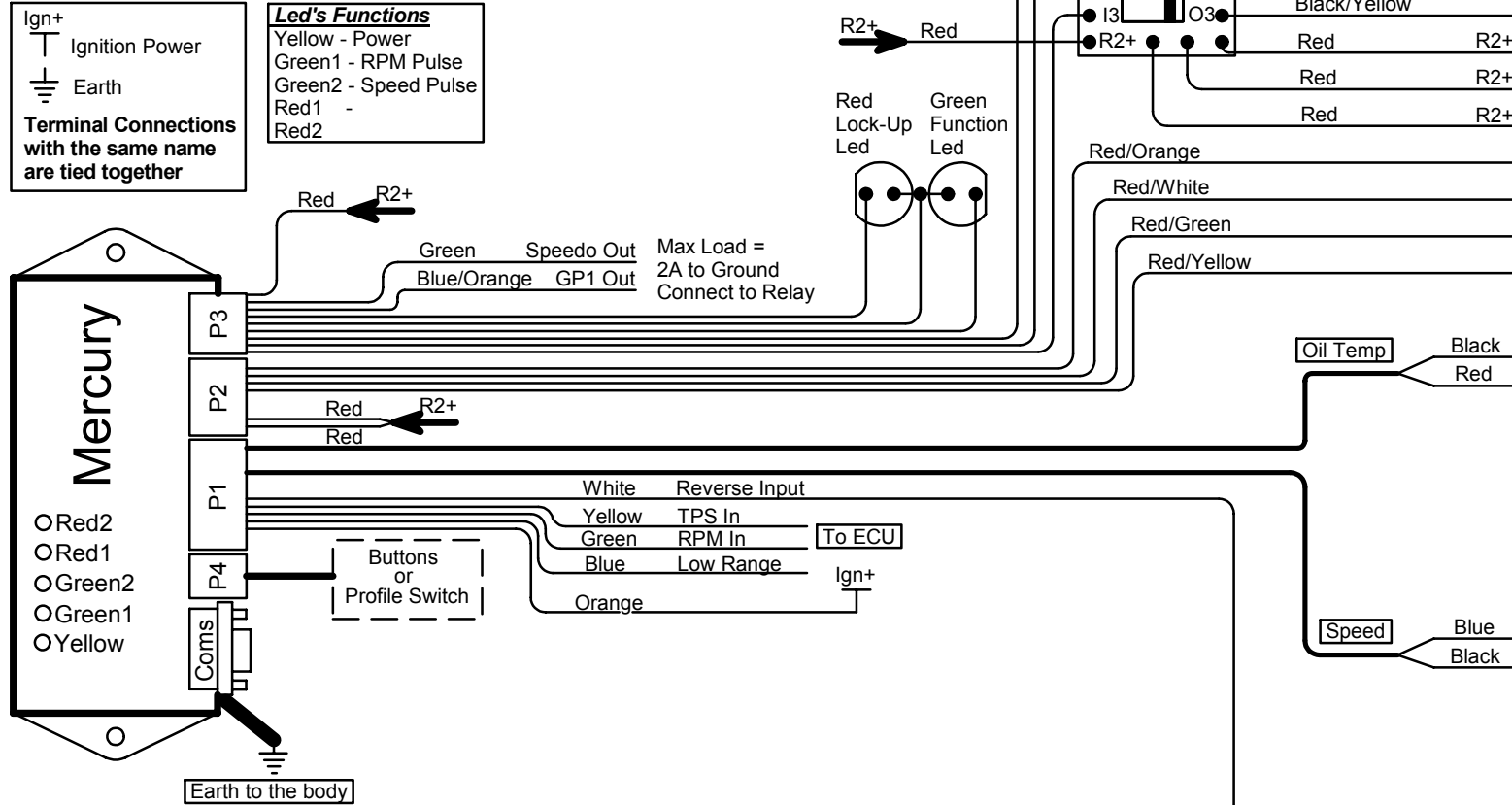
Ign+
Ignition Power

Earth

Terminal Connections with the same name are tied together

Led's Functions

Yellow - Power
Green1 - RPM Pulse
Green2 - Speed Pulse
Red1 -
Red2



Gearbox Connector **NB! Harness Plug Pin View**



Pin	Harness + Color	Resistance
		Cold Hot
1	Oil Temp Black	
2	Gearbox Black/White	3.5 - 4.6
3	Gearbox Black/Orange	3.5 - 4.6
4	Gearbox Black Yellow	3.5 - 4.6
5	Gearbox Red/Orange	11 - 18
6	Gearbox Red/White	11 - 18
7	Oil Temp Red	
8	R2+ From Fusebox	
9	R2+ From Fusebox	
10	R2+ From Fusebox	
11	Gearbox Red/Green	11 - 18
12	Gearbox Red/Yellow	11 - 18

Magnetic Speed Sensor **NB! Harness Plug Pin View**

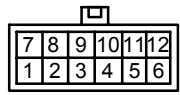


Pin	Harness + Color
1	Speed Black
2	Speed Blue

Gearbox Selector Switch **NB! Harness Plug Pin View**

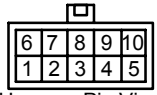


Pin	Harness + Color
2	Reverse White
3	R2+ From Fusebox



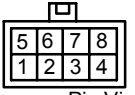
- 1. Red - Oil Temp Sensor
- 2. Yellow - TPS Signal Input
- 3. Blue - Low Range
- 4. Black - Ground
- 5.
- 6.
- 7. Blue - N/C
- 8. White - Reverse Input
- 9.
- 10. Orange - +12V Ign Input
- 11. Blue - Speed Sensor Signal
- 12. Green - RPM Signal In

Connector Pinouts



- 1. Red/White - Gearbox
- 2. Red/Orange - Gearbox
- 3. Red/Blue - N/C
- 4.
- 5. Red - +12V Power
- 6. Red/Yellow - Gearbox
- 7. Red/Green - Gearbox
- 8. Red/Black - N/C
- 9.
- 10. Red - +12V Power

Connector Pinouts



- 1. Black/Purple - Lockup LED
- 2. Black/Orange - Gearbox
- 3. Black/White - Gearbox
- 4. Blue/Orange - GP1 Out
- 5. Black/Red - Function LED
- 6. Black/Brown - N/C
- 7. Black/Yellow - Gearbox
- 8. Green - Speed Out

Connector Pinouts



SPITRONICS™
ENGINE MANAGEMENT SYSTEMS

WWW.SPITRONICS.COM