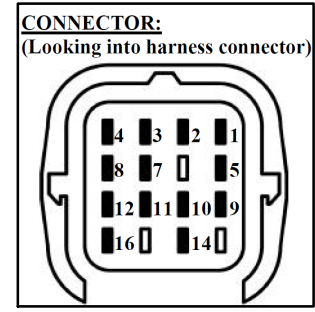
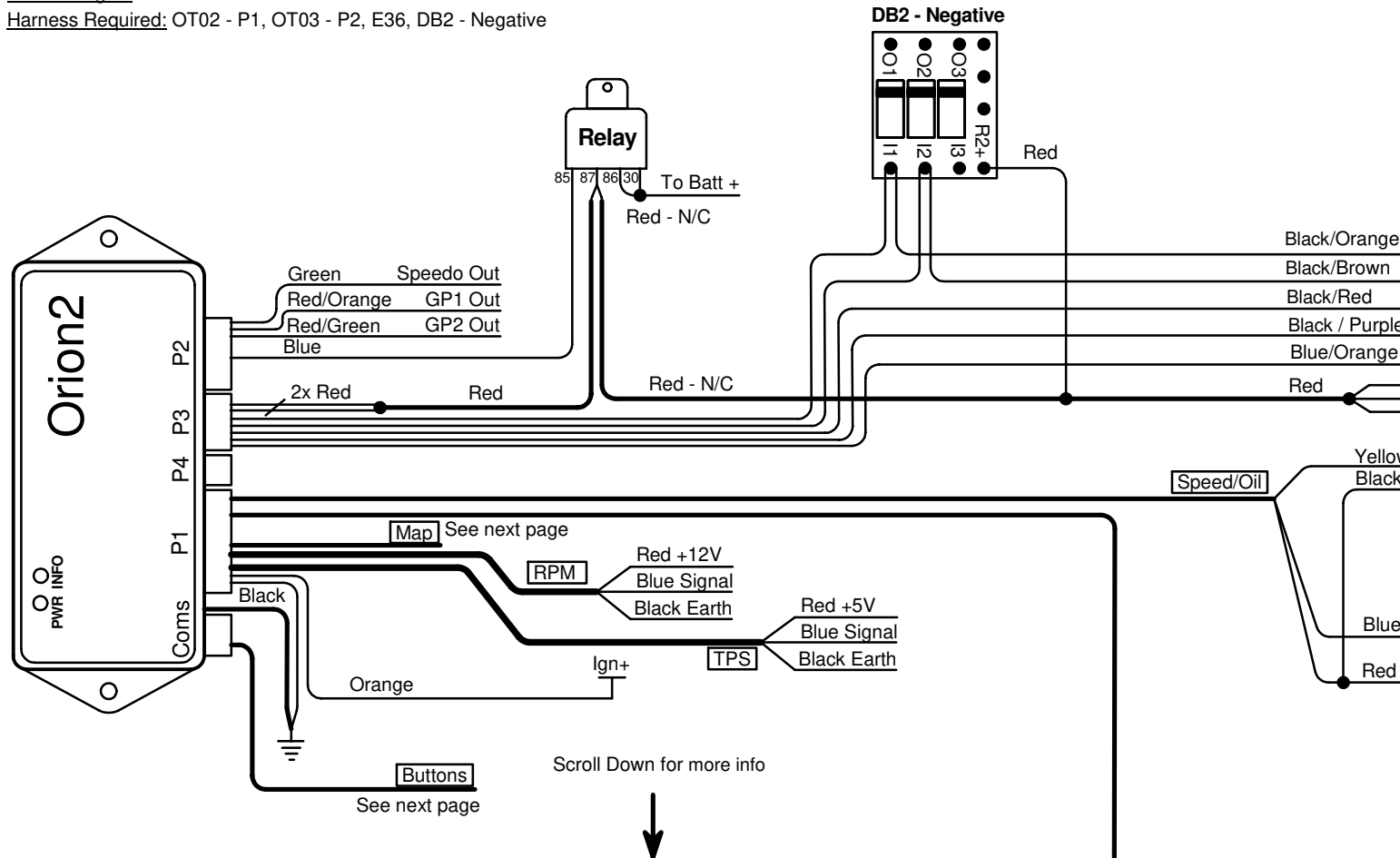


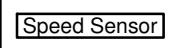
Orion2 Ford 4R44E St

Last Changed: 21/08/2020

Harness Required: OT02 - P1, OT03 - P2, E36, DB2 - Negative



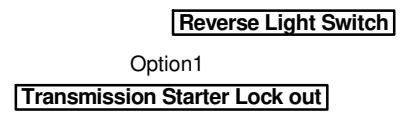
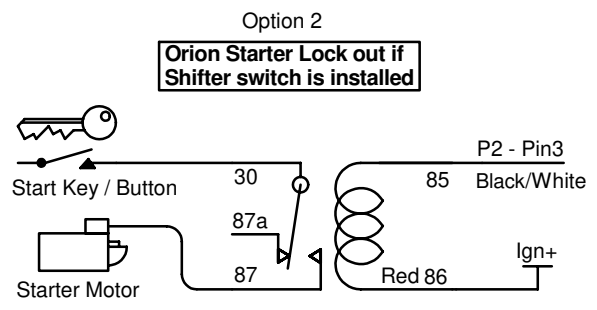
Pin	Harness	Color	Description	Resistance	
				Cold	Hot
1	+12V In	Red	TCC Power		
4	Speed/oil	Yellow	Oil Temp		
5	Gearbox	Black/Red	Shift 1	22 - 48	
7	Gearbox	Black/Brown	Lockup	8.9 - 16	
8	Speed/oil	Black	Oil Temp		
9	Gearbox	Blue/White	Coast C	22 - 48	
10	+12V In	Red			
11	+12V In	Red			
12	Gearbox	Black/Orange	Line Press	3.1 - 5.7	
14	Gearbox	Black/Purple	Shift 2	22 - 48	
16	Gearbox	Blue/Orange	Shift 3	22 - 48	



NB! Harness Connector Pin View



NB! Harness Connector Pin View



Scroll Down for more info



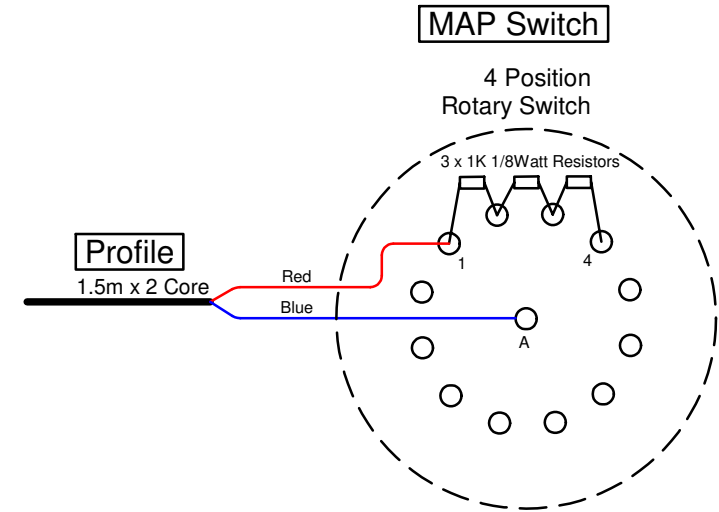
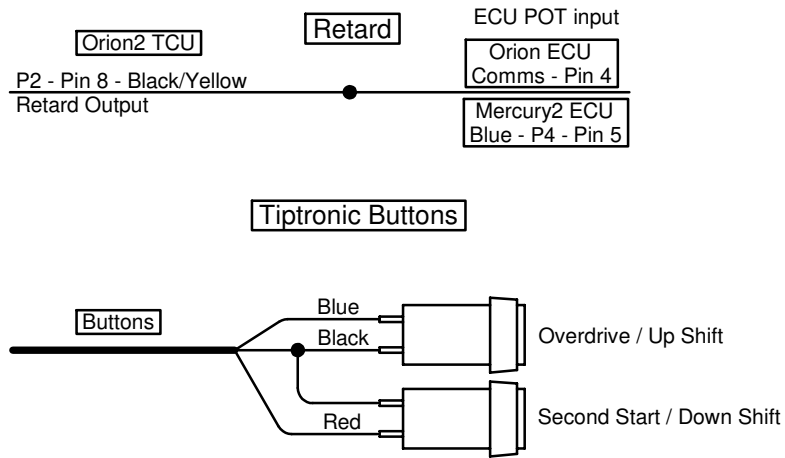
Orion2 Ford 4R44E St

Last Changed: 21/08/2020

Harness Required: OT02 - P1, OT03 - P2, E36, DB2 - Negative

Ign+
| Ignition Power
|
|
| Earth

**Terminal Connections
with the same name
are tied together**



Note: Harnesses pin-outs and colours are layed out on the GP Priority Sheet