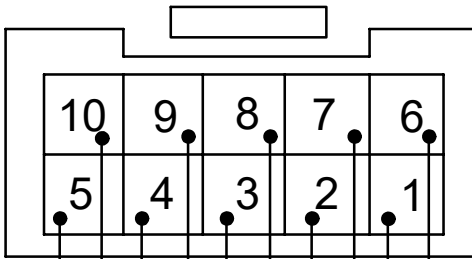
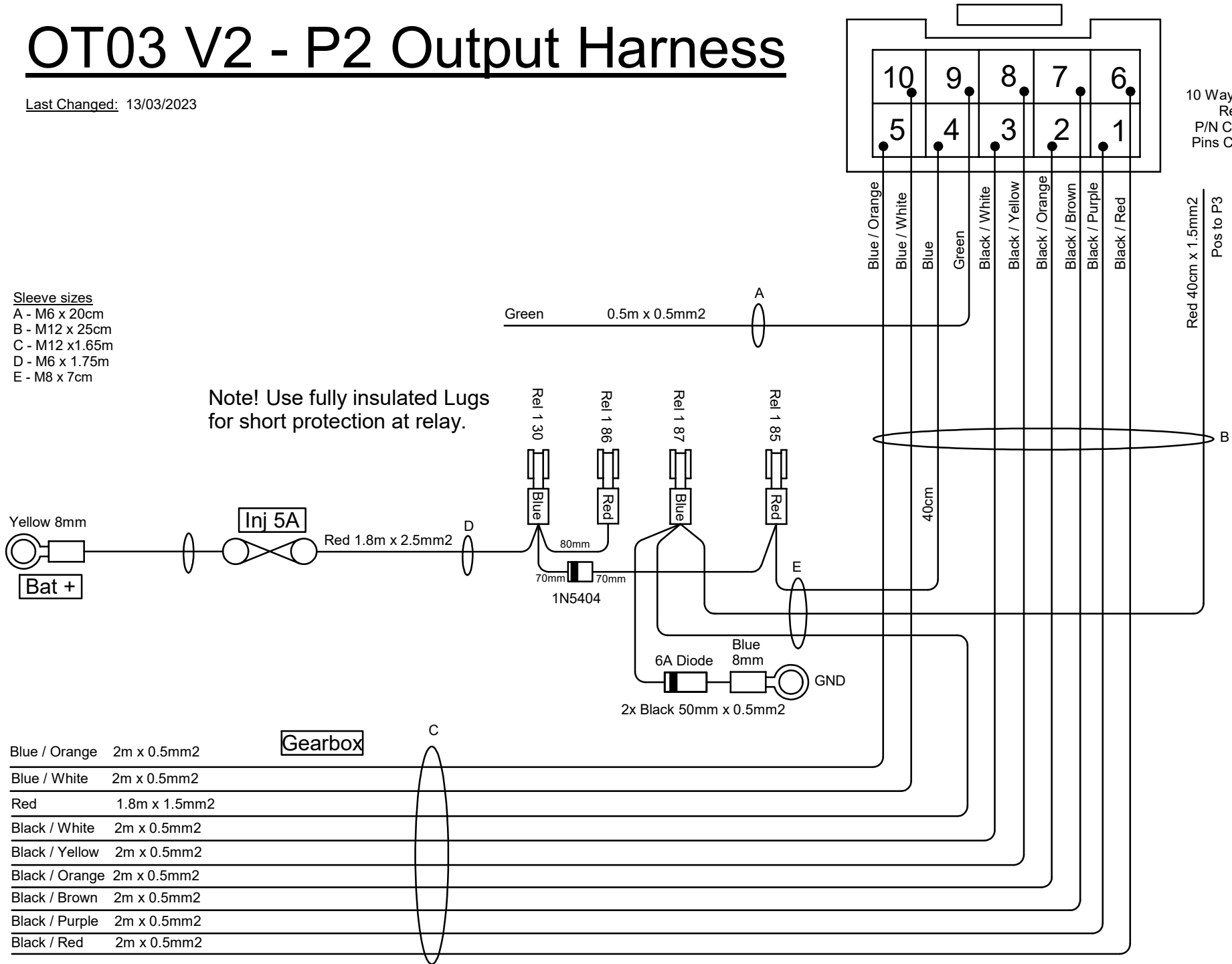


OT03 V2 - P2 Output Harness

Last Changed: 13/03/2023

- Sleeve sizes
 A - M6 x 20cm
 B - M12 x 25cm
 C - M12 x 1.65m
 D - M6 x 1.75m
 E - M8 x 7cm

Note! Use fully insulated Lugs for short protection at relay.



10 Way Female Plug
 Rear View
 P/N CP-01110010
 Pins CP-011100101

- | | |
|----------------|---------------------------|
| Blue / Orange | 2m x 0.5mm ² |
| Blue / White | 2m x 0.5mm ² |
| Red | 1.8m x 1.5mm ² |
| Black / White | 2m x 0.5mm ² |
| Black / Yellow | 2m x 0.5mm ² |
| Black / Orange | 2m x 0.5mm ² |
| Black / Brown | 2m x 0.5mm ² |
| Black / Purple | 2m x 0.5mm ² |
| Black / Red | 2m x 0.5mm ² |

Red 40cm x 1.5mm²
 Pos to P3

40cm

2x Black 50mm x 0.5mm²