

E26 8Cyl 4Coil 8Inj W/S

Last Changed: 14/11/2012

Drawing Ver: 2.0

Firing Order

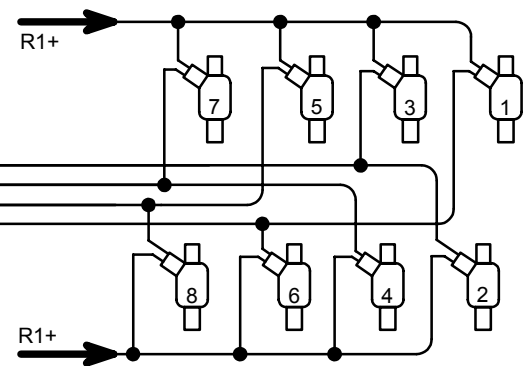
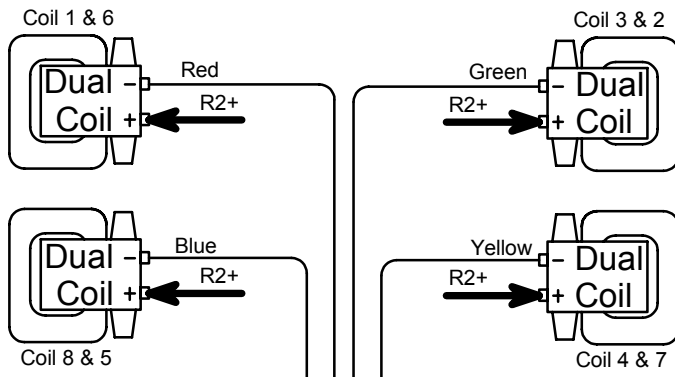
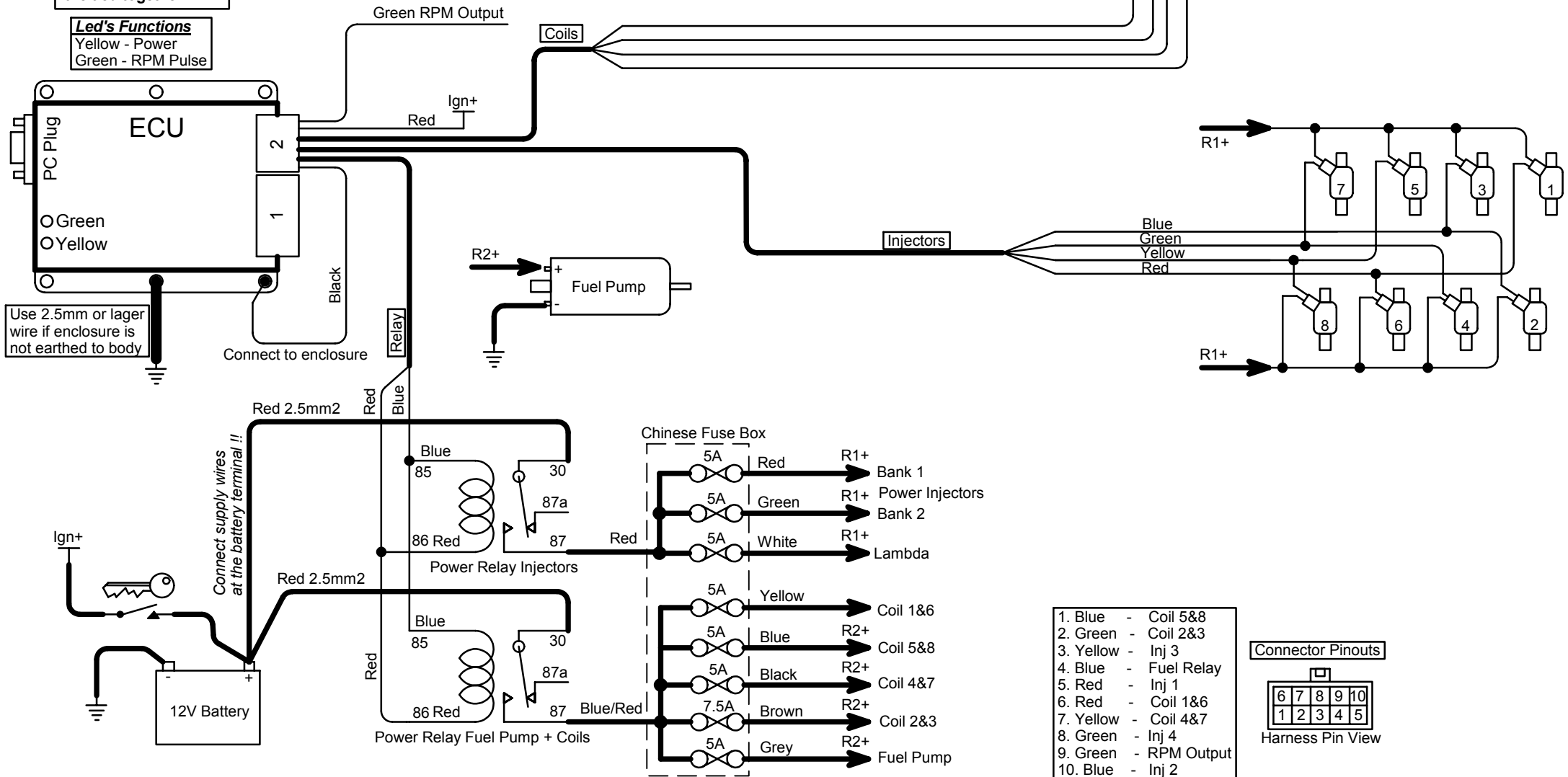
Lexus-Chev 18436572

Nissan 18736542

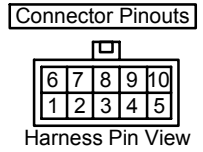
Note! Remember to put **Coil Driver Trigger Level** on **External Coil Driver** before connecting the 10Way connector

Ign+
| Ignition Power
|
| Earth
|
Terminal Connections with the same name are tied together

Led's Functions
Yellow - Power
Green - RPM Pulse



- 1. Blue - Coil 5&8
- 2. Green - Coil 2&3
- 3. Yellow - Inj 3
- 4. Blue - Fuel Relay
- 5. Red - Inj 1
- 6. Red - Coil 1&6
- 7. Yellow - Coil 4&7
- 8. Green - Inj 4
- 9. Green - RPM Output
- 10. Blue - Inj 2



Use 2.5mm or larger wire if enclosure is not earthed to body

Connect supply wires at the battery terminal !!