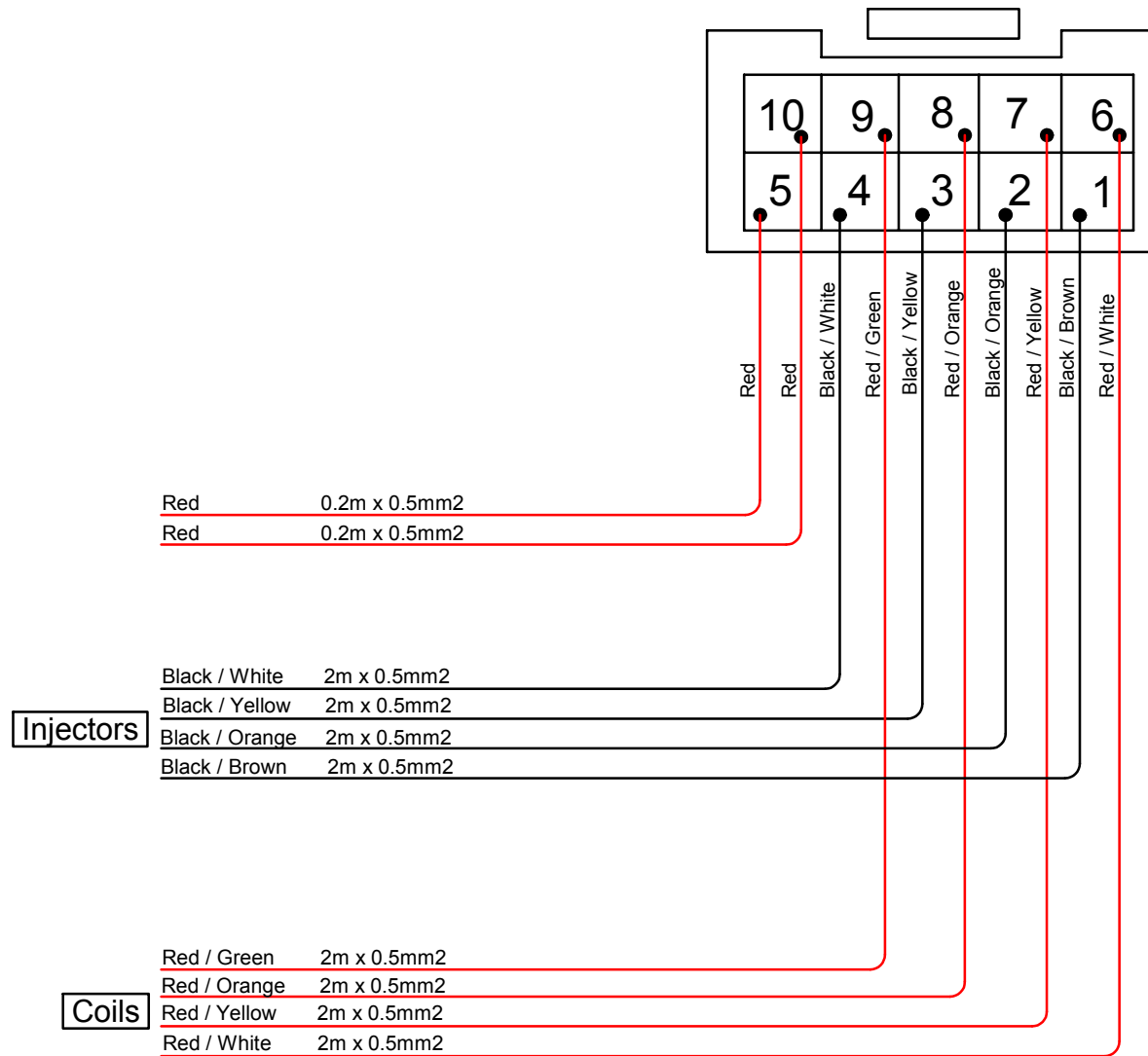


# Z10 Output Harness

File Name: Z10 Harness

Last Changed: 27/10/2015



Screened cables are 0.5mm<sup>2</sup>