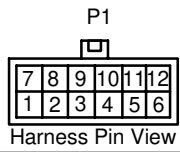
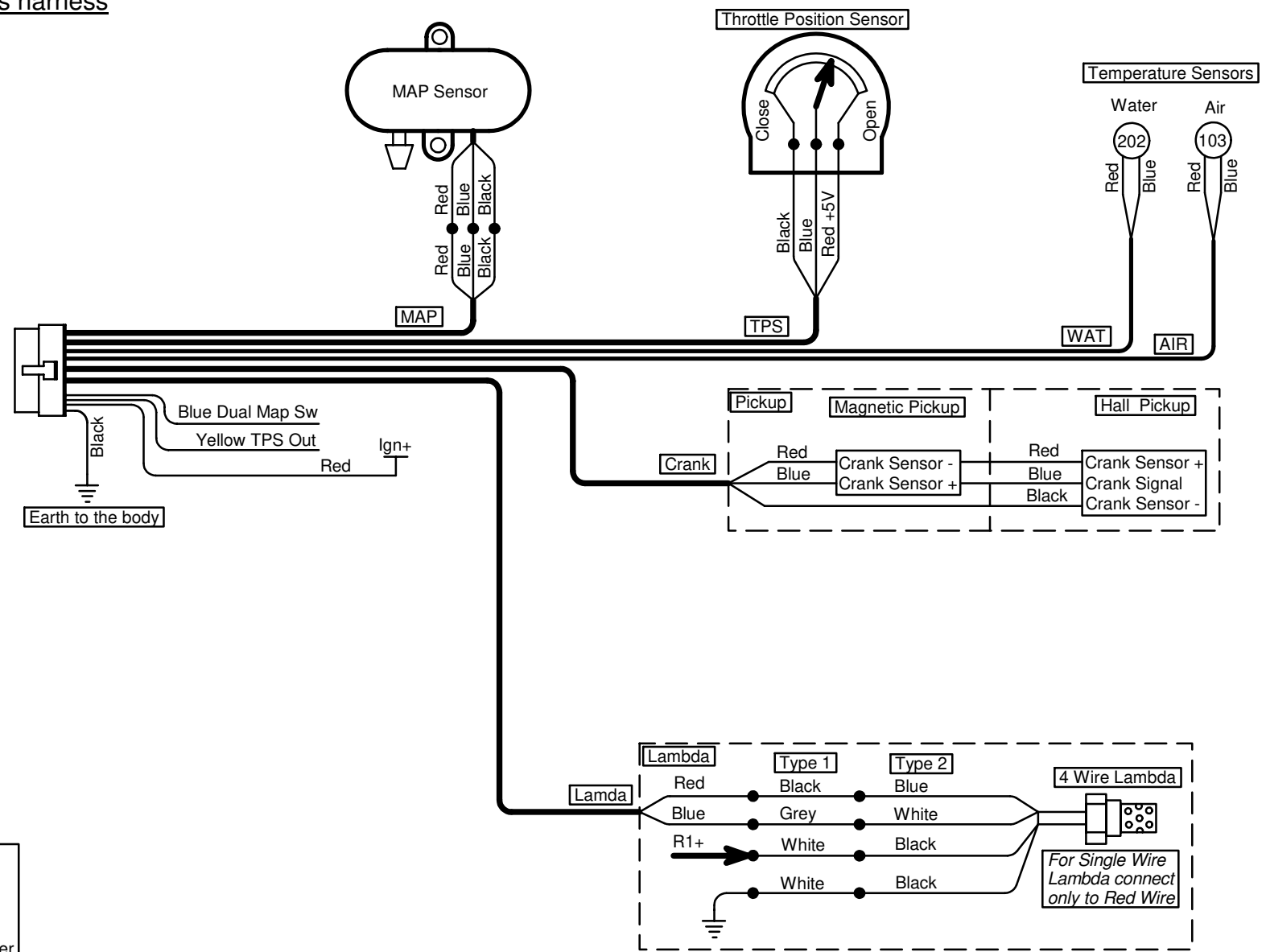


ecuDIY_E47-P1_Input-Harness-Drawing_Crank-Only_Wiring

Last Changed: 24/08/2024

Products that can use this harness

EZ41D, EZ61B, SF101



- 1. Red - Air Temp Sensor
- 2. Blue - TPS Sensor
- 3. Blue - Map Sensor
- 4. Black - Ground
- 5.
- 6. Red - Crank Sensor Power
- 7. Red - Water Temp Sensor
- 8. Red - Lamda Sensor +
- 9. Red - +5V Output
- 10. Red - +12V Ign Input
- 11. Blue - Dual Map
- 12. Blue - Crank Sensor Signal

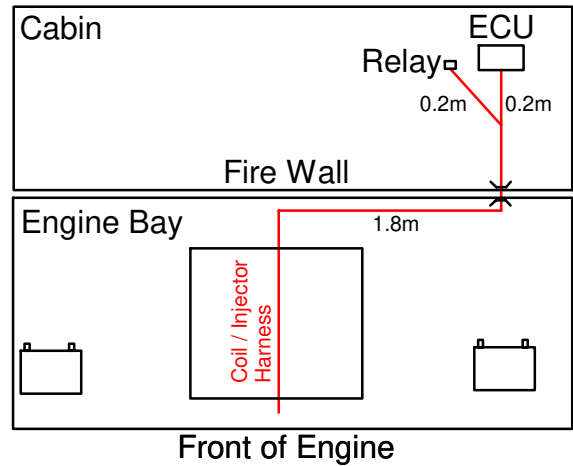
Connector Pinouts

ecuDIY_E47-P1_Input-Harness-Drawing_Crank-Only_Layout

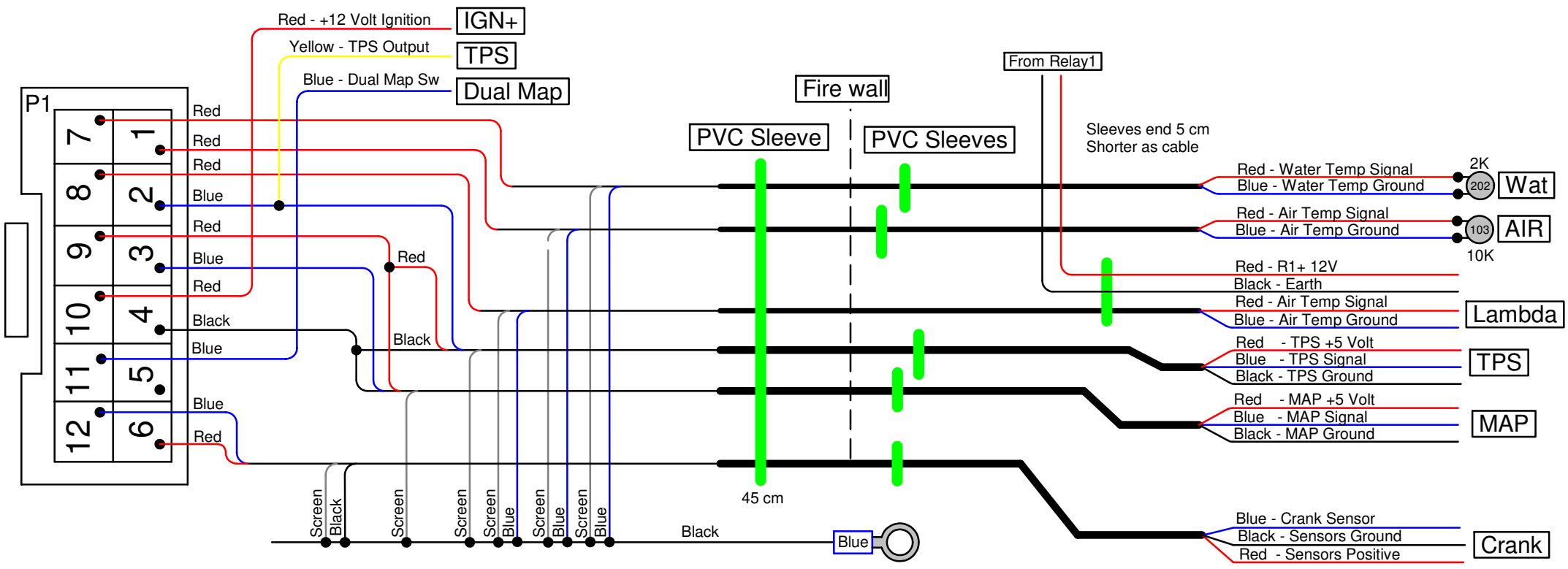
Last Changed: 24/08/2024

Products that can use this harness

EZ41D, EZ61B, SF101



Use PVC Sleeve That is smallest diameter to fit the wires



ecuDIY_E47-P1_Input-Harness-Drawing_Crank-Only_Design

Last Changed: 24/08/2024

Products that can use this harness

EZ41D, EZ61B, SF101

See Layout for PVC Sleeve information and other wiring to complete Harness

