

# E40 P2 1Relay Output Harness Design

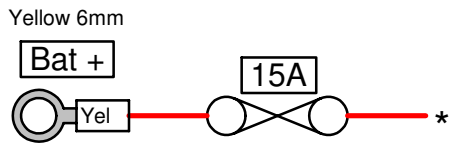
Last Changed: 25/10/2025

## Products that can use this harness

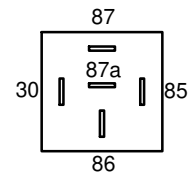
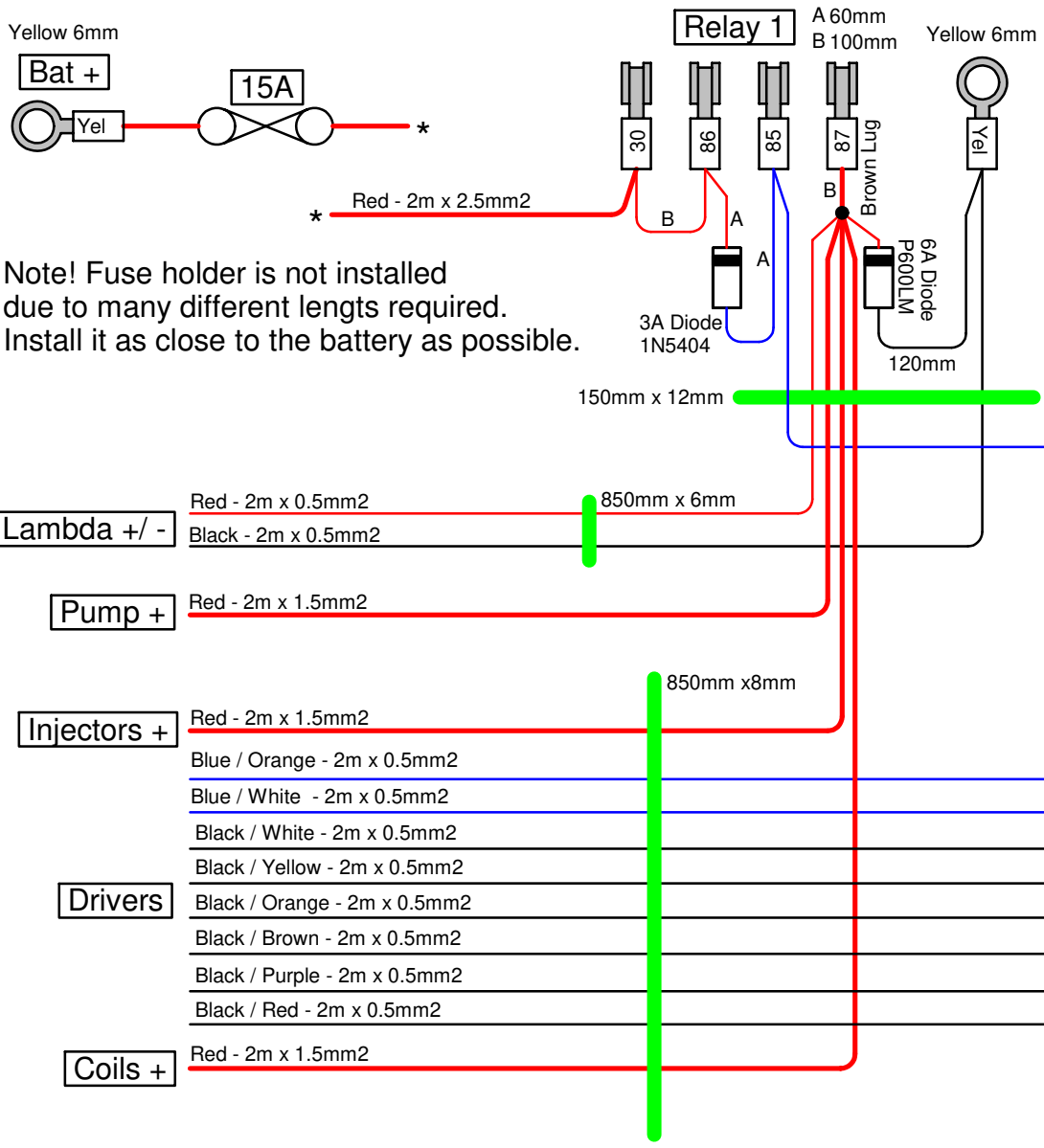
EZ42B (The Badger), Orion, Saturn, Pluto

**NB! This relay base is wired for this relay pattern only. Do not use any other relay pattern it will damage the product.**

\* Connect with Bootlace lug or solder and cover with heat shrink



Note! Fuse holder is not installed due to many different lengths required. Install it as close to the battery as possible.



10 Way Female Plug  
Rear View  
P/N CP-01110010  
Pins CP-01100101

