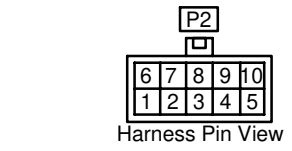
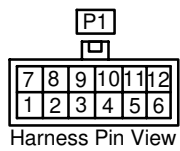
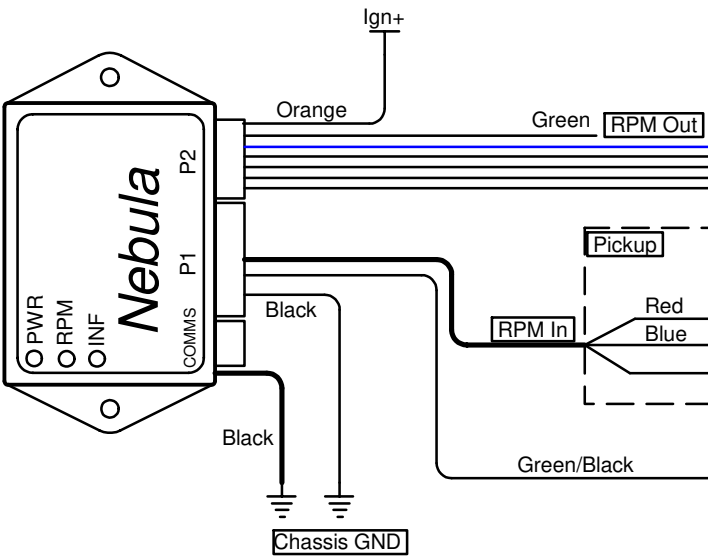
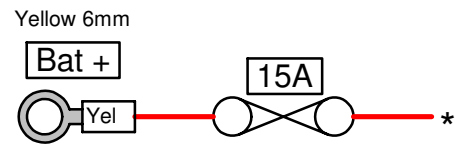


# Nebula Cam Controller

Last Changed: 26/03/2026

\* Connect with Bootlace lug or solder and cover with heat shrink



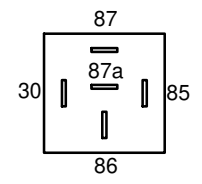
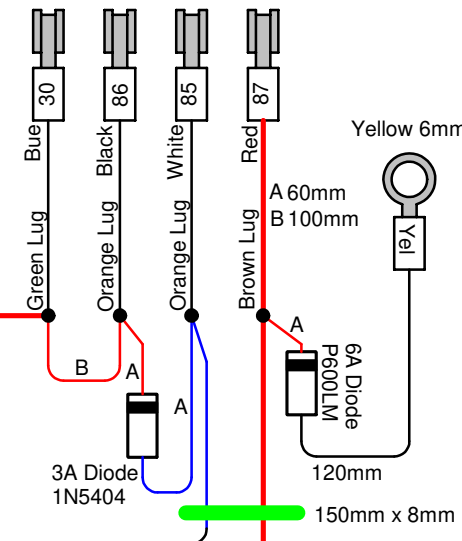
- 1.
- 2. Green/Black - TPS Sensor
- 3.
- 4.
- 5.
- 6. Red - Crank Sensor Power
- 7.
- 8.
- 9.
- 10. Orange - +12V Ign Input
- 11.
- 12. Blue - Crank Sensor Signal

- 1. Black / Purple - CAM2 Exhaust
- 2. Black / Orange - CAM4 Exhaust
- 3.
- 4. Blue - Relay Output
- 5.
- 6. Black / Red - CAM1 Intake
- 7. Black / Brown - CAM3 Intake
- 8.
- 9. Green - RPM Output
- 10.

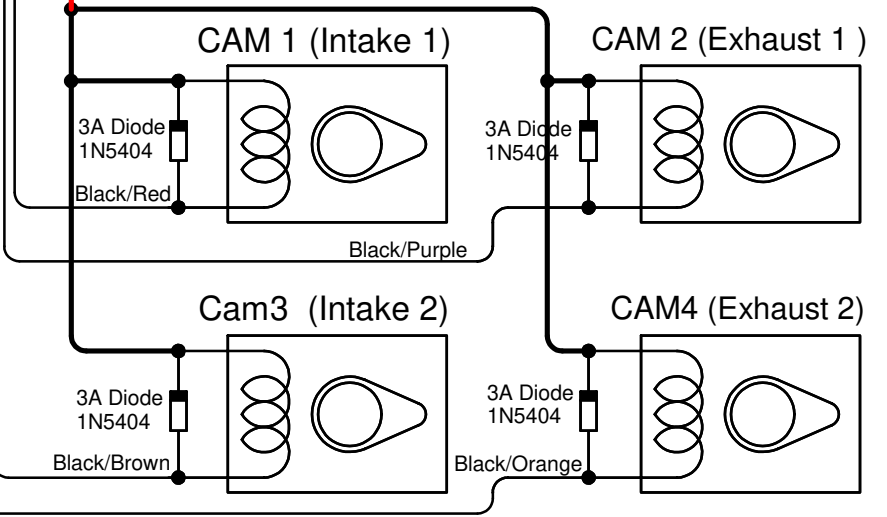
Connector Pinouts

Connector Pinouts

Relay 1



**NB! This relay base is wired for this relay pattern only. Do not use any other relay pattern it will damage the product.**



From ECU System