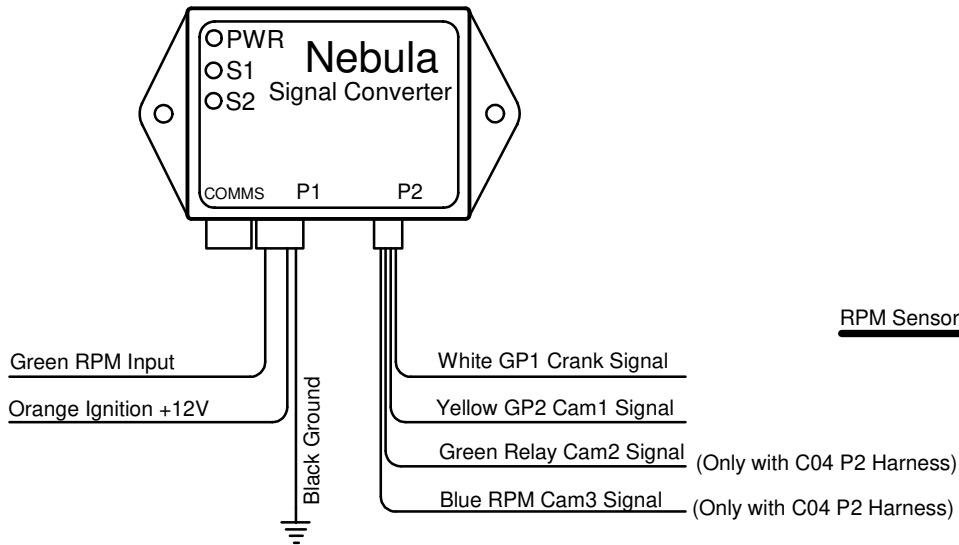


# Nebula Signal Converter Wiring

Last Changed: 23/02/2026

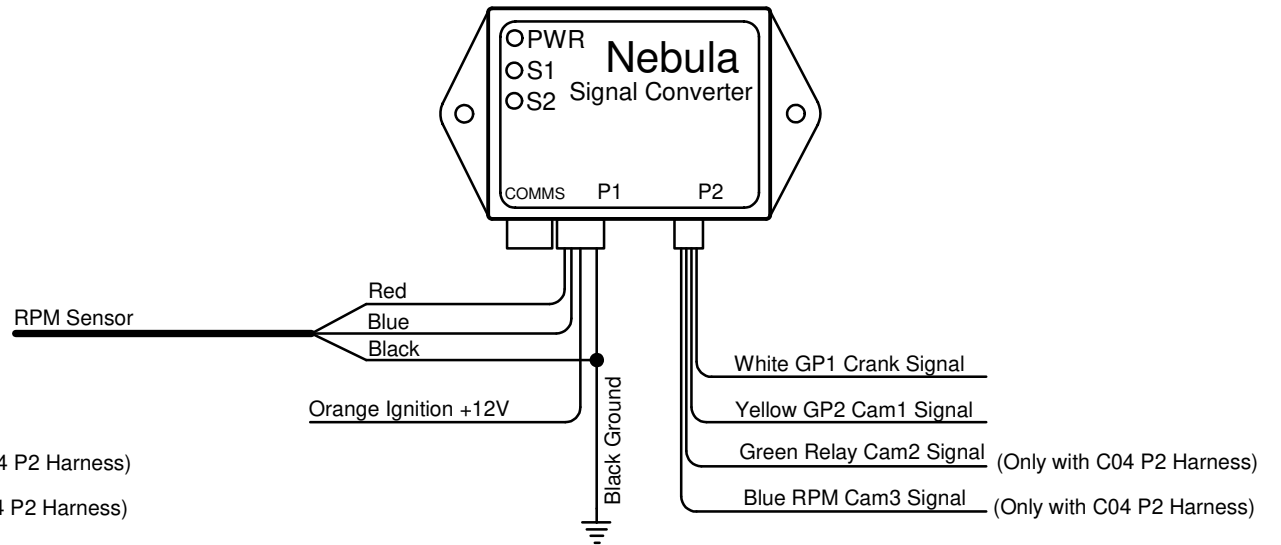
## Connect to ECU signal

Harness Required C01 P1, C02 P2 or C04 P2

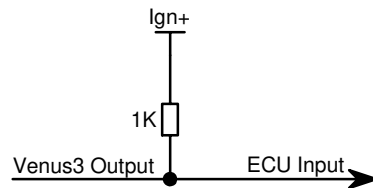


## Connect to RPM Sensor

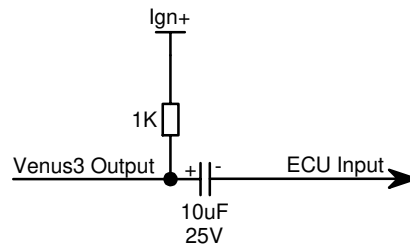
Harness Required C03 P1, C02 P2 or C04 P2



Option 1



Option 2



Option 3

