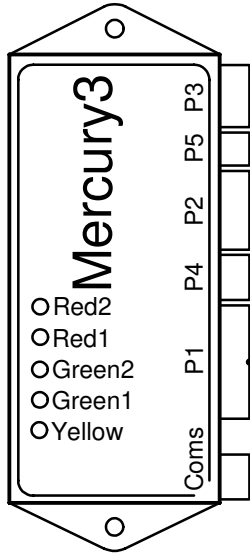
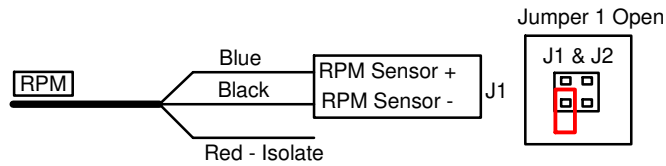


# RPM Sensor Wiring M70-P1

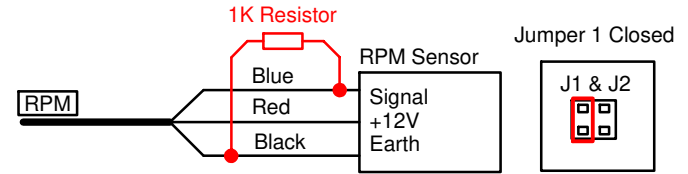
Harness: M70-P1  
Last Changed: 26/02/2026



## Magnetic RPM Sensor

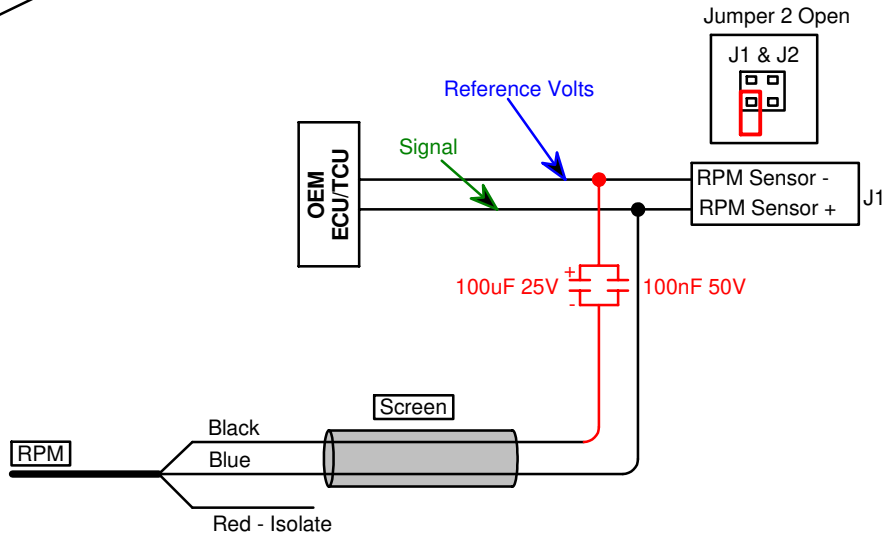


## Hall or Optic RPM Sensor



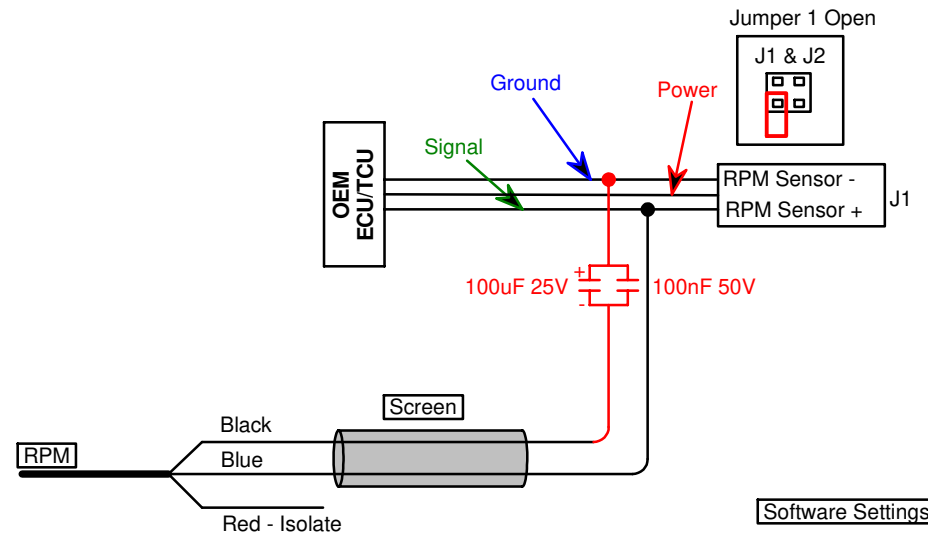
Note! Optional 1 K resistors from signal to earth will help prevent interference from the ECU supply voltage

## Magnetic RPM Sensor Tap-In and filter



Note! Optional Capacitors from reference to black will help prevent interference in ECU earth differences

## Hall or Optic or Tacho RPM Sensor Tap-In and filter



Note! Optional Capacitors from reference to black will help prevent interference in ECU earth differences

### Software Settings

#### Active Sensors

- RPM
- Speed