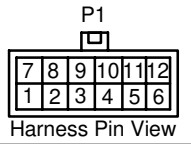
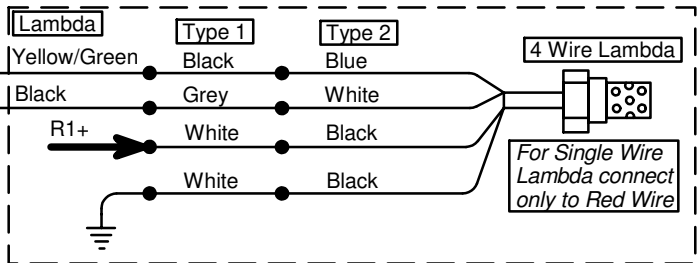
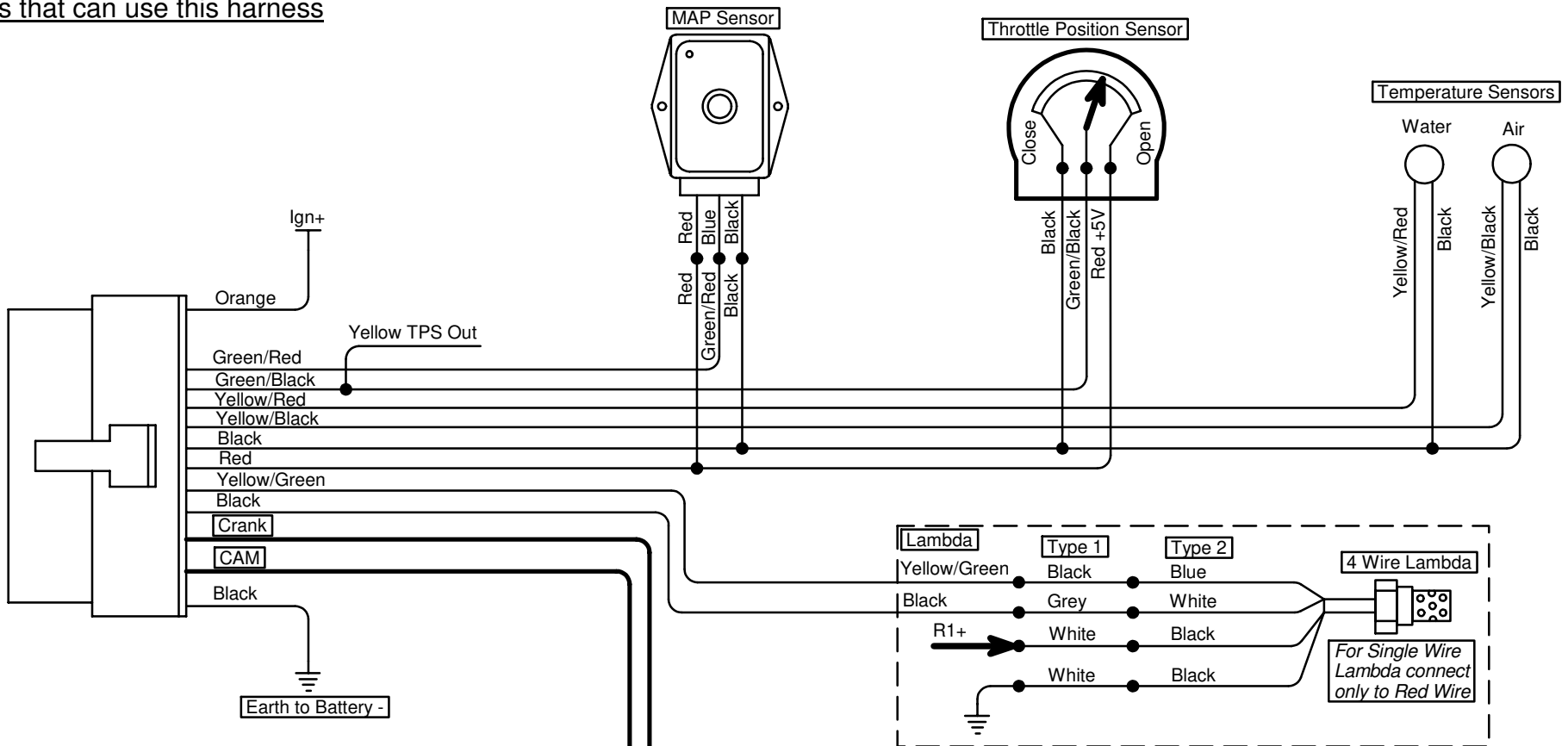


E60 P1 Crank Cam Input Harness Wiring

Last Changed: 11/11/2025

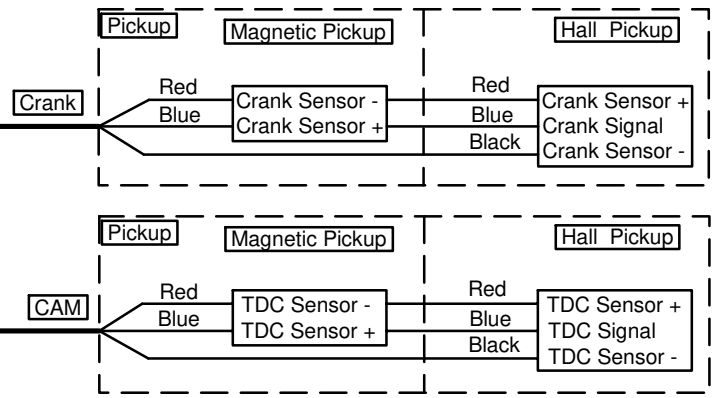
Products that can use this harness

Callisto



- 1. Yellow/Black - Air Temp Sensor
- 2. Green/Black - TPS Sensor
- 3. Green/Red - Map Sensor
- 4. Black - Ground
- 5. Red - TDC Sensor Power
- 6. Red - Crank Sensor Power
- 7. Yellow/Red - Water Temp Sensor
- 8. Yellow/Green - Lamda Sensor +
- 9. Red - +5V Output
- 10. Orange - +12V Ign Input
- 11. Blue - TDC Sensor Signal
- 12. Blue - Crank Sensor Signal

Connector Pinouts



E60 P1 Crank Cam Input Harness Design

Last Changed: 03/11/2025

Products that can use this harness
Callisto

12 Way Female Plug
Rear View
P/N CP-01112010
Pins CP-01100101

