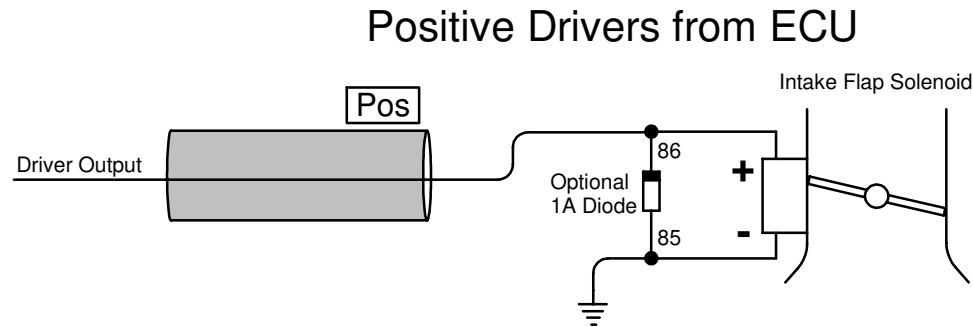
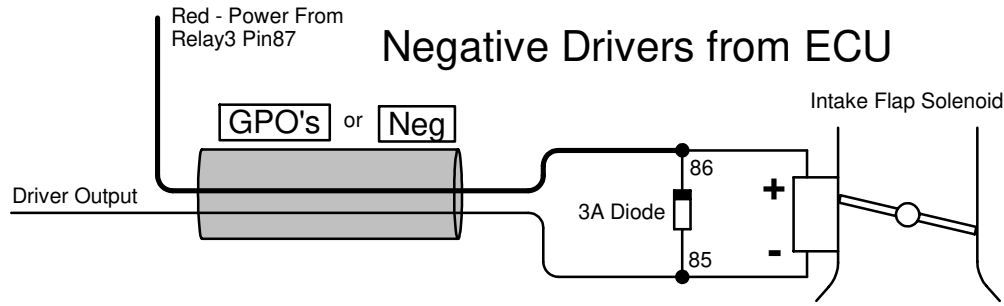
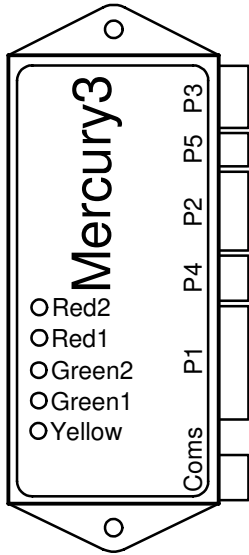


Variable Intake Solenoid Control

Last Changed: 22/10/2025

Note: Make sure the stripe of the Diode is connected on the positive side.



Note: The connection to the Mercury ECU changes with the GP Output Priority selection, View the Priority spreadsheet for the specific firmware to see which output is selected. Then make sure on how to connect between the 2 options above. It could be connected on a negative or positive driver.

Software Settings

Intake	
RPM - high	4900
RPM - low	2400
TPS	60 (%)
Driver Output	GP Output 2