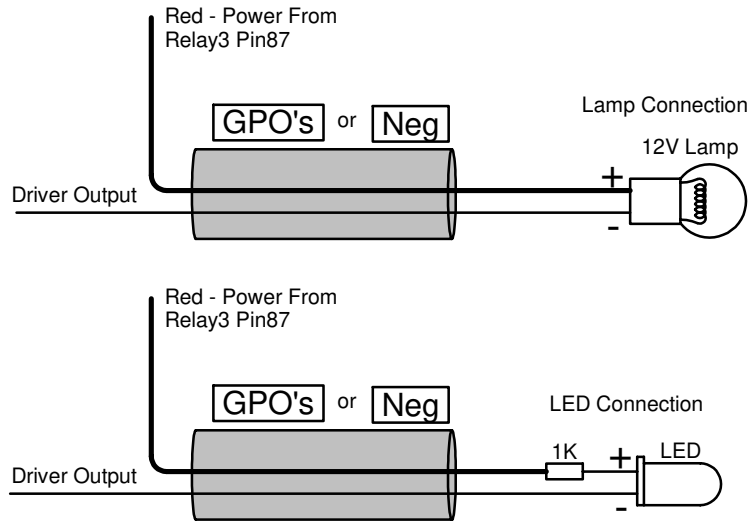
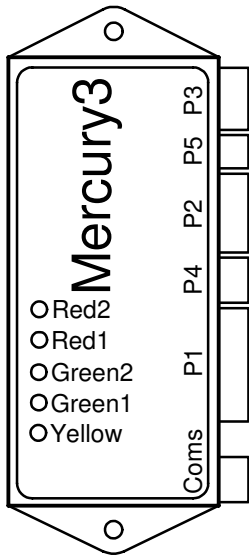


# Lamp Control

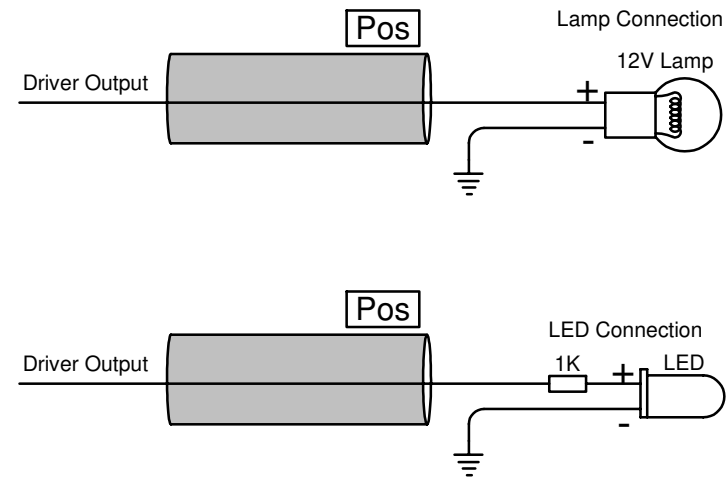
Last Changed: 22/10/2025

**Note:** Make sure that the driver can handle the current requirement of your lamp. LED's require a current limit resistor. 1K Ohm is usually adequate for 12 volts. The software could be set for different output settings.

## Negative Drivers from ECU



## Positive Drivers from ECU



Software Settings

### General Purpose Outputs

Output Selected

Driver Output **GP Output 1**

### Output Settings

Min  (°C)

Max  (°C)

**Note:** The connection to the Mercury ECU changes with the GP Output Priority selection, View the Priority spreadsheet for the specific firmware to see which output is selected. Then make sure on how to connect between the 2 options above. It could be connected on a negative or positive driver.