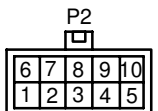
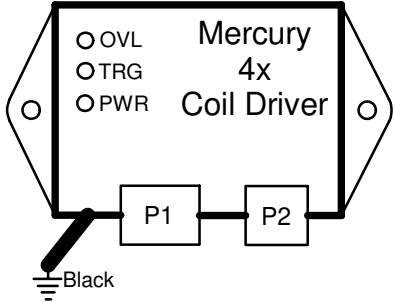
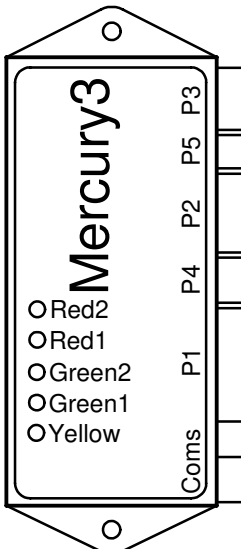
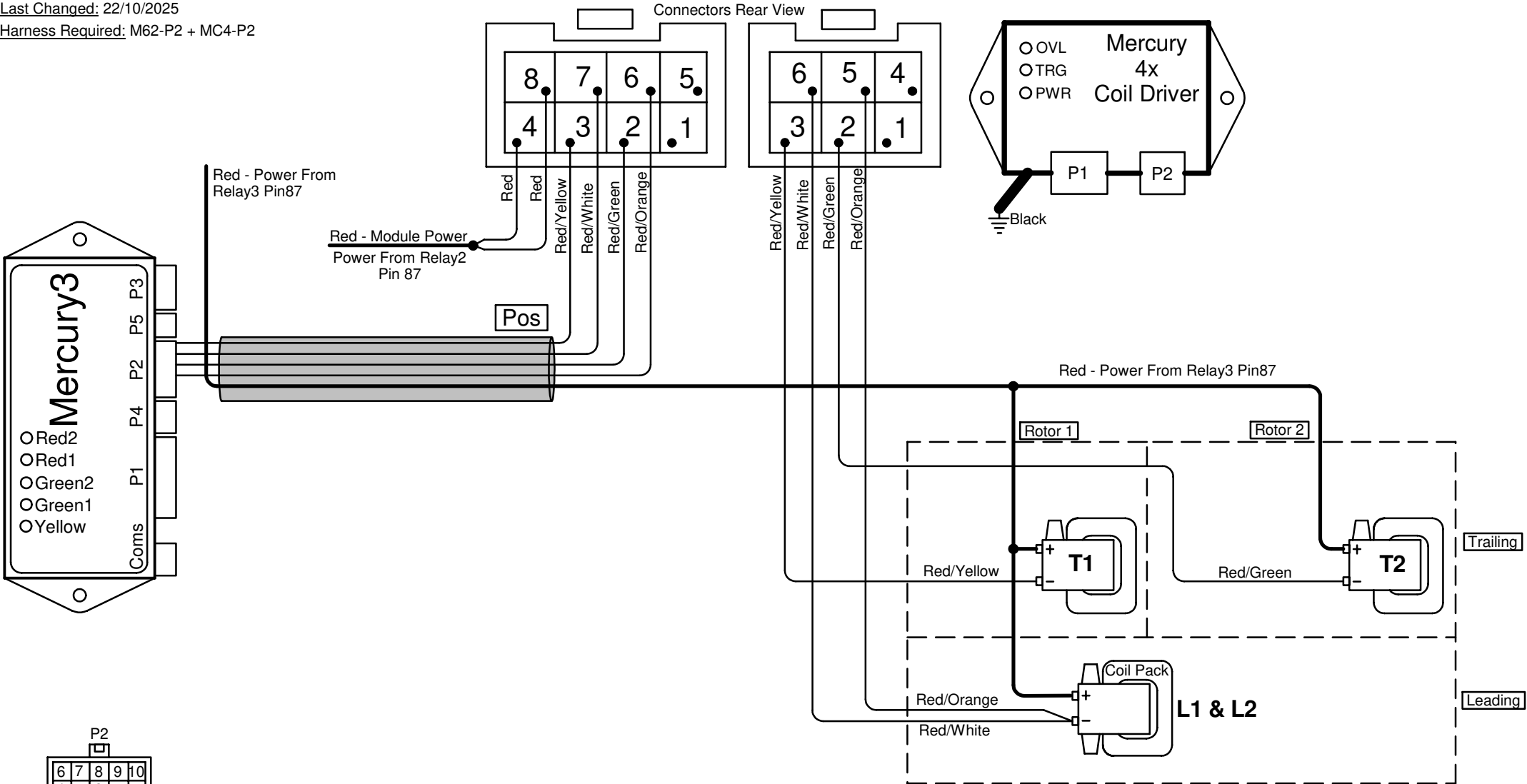


2Rotor W/S COP No Drv

Last Changed: 22/10/2025

Harness Required: M62-P2 + MC4-P2



1.	Red/White	-	Coil Drv 1
2.	Red/Orange	-	Coil Drv 3
3.	Red/Blue	-	
4.	Blue/Red	-	
5.	Red	-	
6.	Red/Yellow	-	Coil Drv 2
7.	Red/Green	-	Coil Drv 4
8.	Red/Black	-	
9.		-	
10.	Red	-	

Connector Pinouts

Note: The 2 leading coil drivers are tied together on the wasted spark leading coil pack. Software must be set to wasted spark. The trailing coils cannot be shared with a coil pack.

Software Settings

Coil Combination
 Wasted Spark Coil Pack