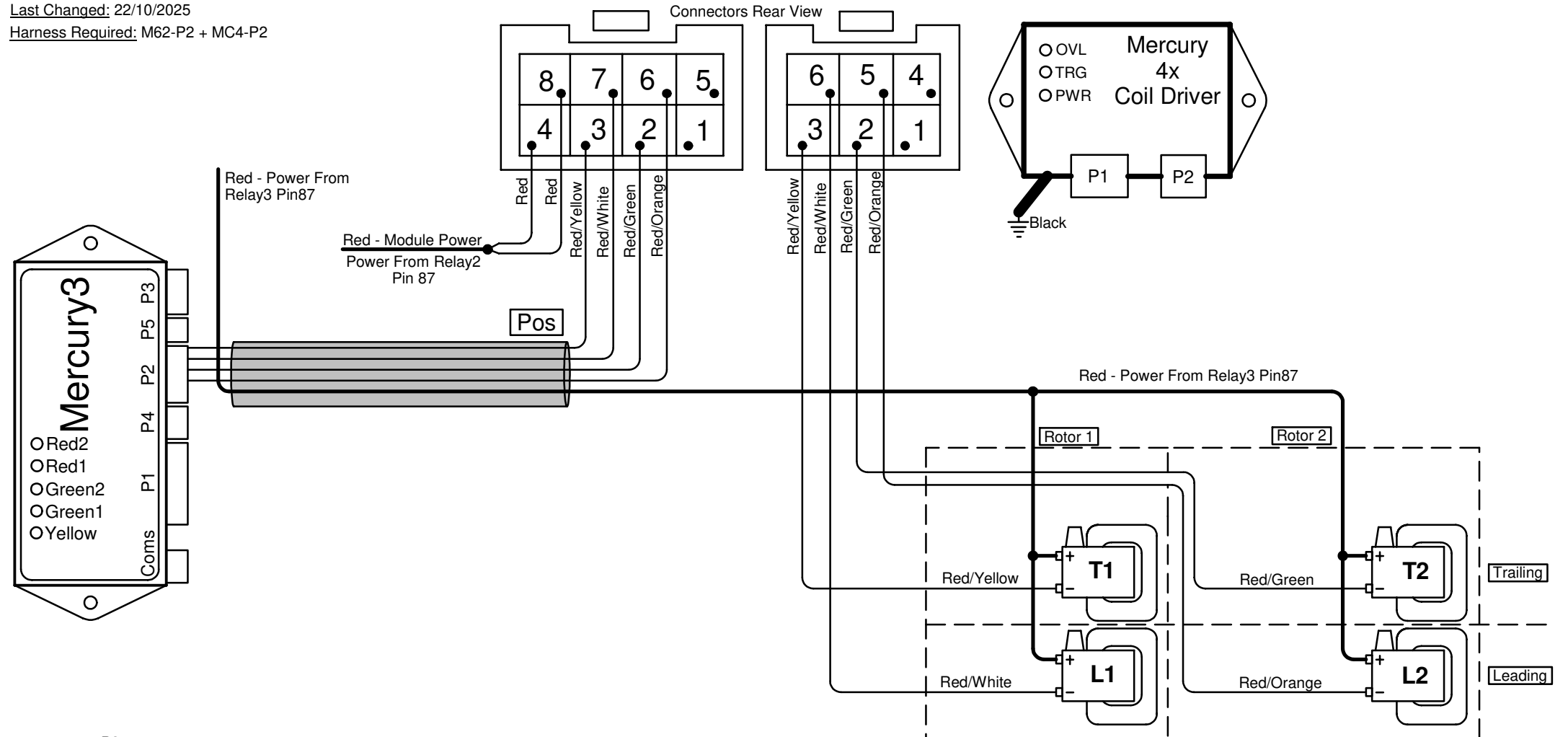


2Rotor Full Seq COP No Drv

Last Changed: 22/10/2025

Harness Required: M62-P2 + MC4-P2



Harness Pin View

6	7	8	9	10
1	2	3	4	5

Connector Pinouts

1.	Red/White	-	Coil Drv 1
2.	Red/Orange	-	Coil Drv 3
3.	Red/Blue	-	
4.	Blue/Red	-	
5.	Red	-	
6.	Red/Yellow	-	Coil Drv 2
7.	Red/Green	-	Coil Drv 4
8.	Red/Black	-	
9.		-	
10.	Red	-	

Software Settings

Coil Combination

Full Sequential