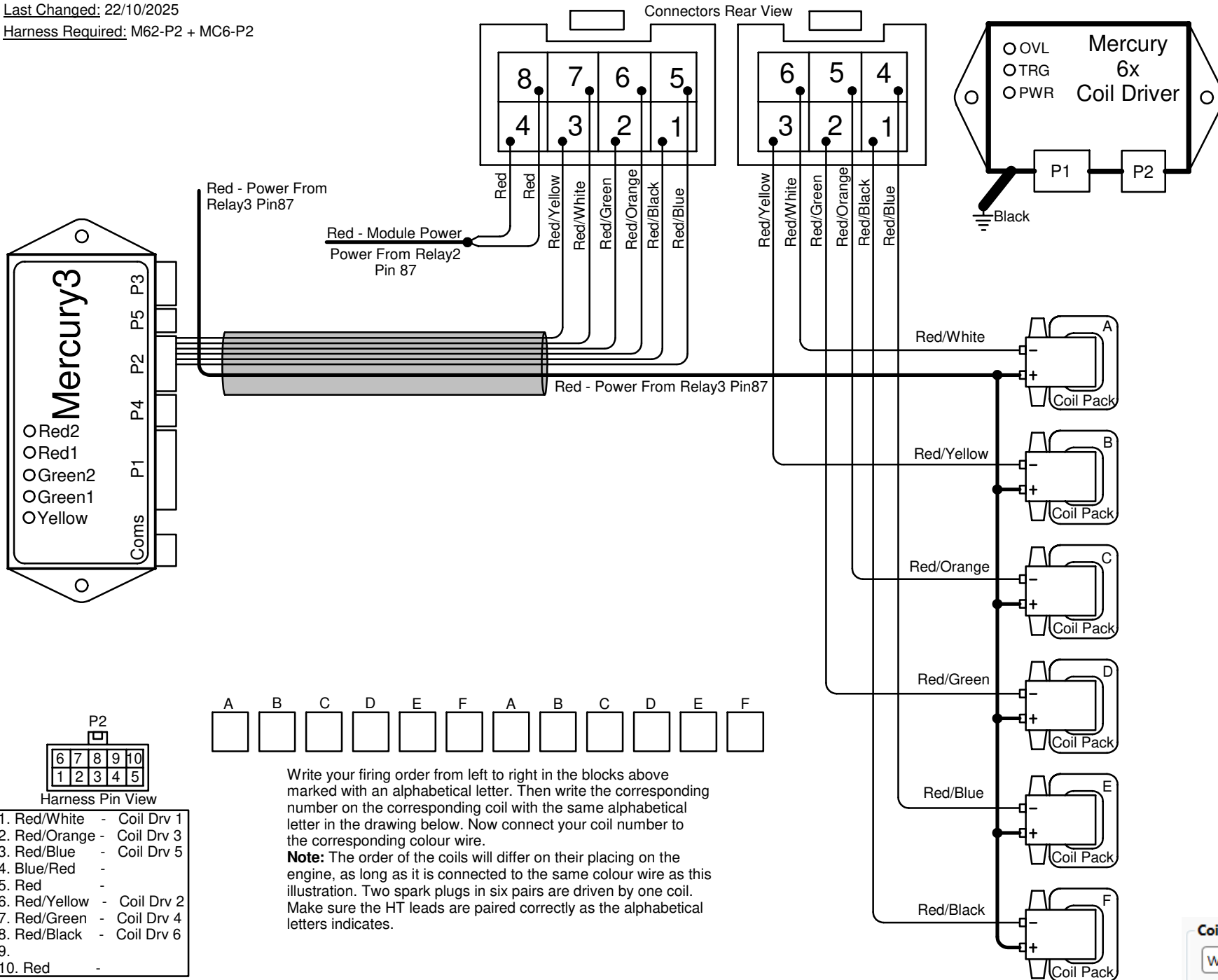


12Cyl W/S No Drv

Last Changed: 22/10/2025

Harness Required: M62-P2 + MC6-P2



P2

6	7	8	9	10
1	2	3	4	5

Harness Pin View

1.	Red/White	-	Coil Drv 1
2.	Red/Orange	-	Coil Drv 3
3.	Red/Blue	-	Coil Drv 5
4.	Blue/Red	-	
5.	Red	-	
6.	Red/Yellow	-	Coil Drv 2
7.	Red/Green	-	Coil Drv 4
8.	Red/Black	-	Coil Drv 6
9.		-	
10.	Red	-	

Connector Pinouts

Software Settings

Coil Combination

Wasted Spark Coil Pack