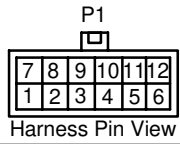
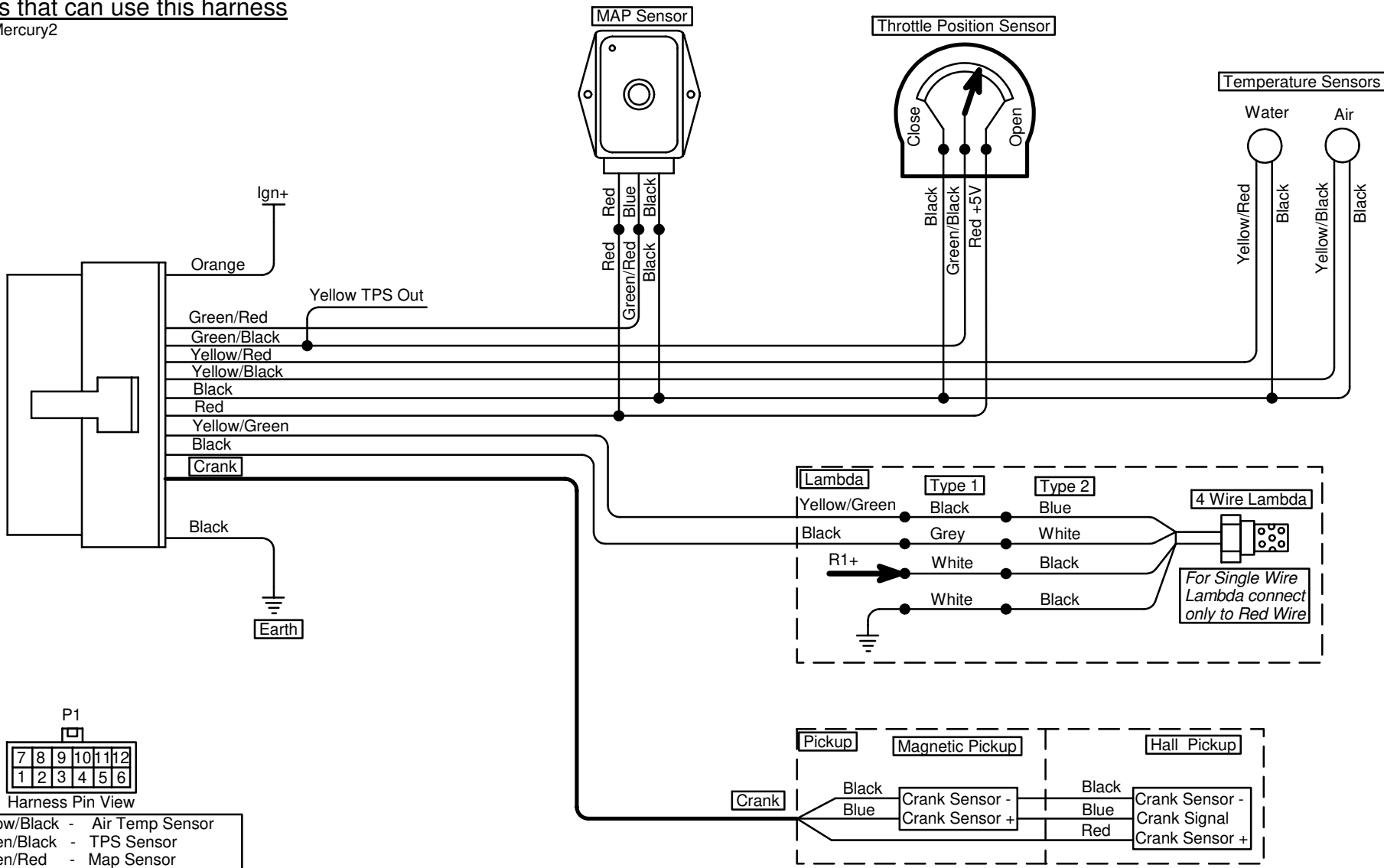


# M61 P1 Crank Input Harness Wiring

Last Changed: 05/03/2026

## Products that can use this harness

Mercury3, Mercury2



- 1. Yellow/Black - Air Temp Sensor
- 2. Green/Black - TPS Sensor
- 3. Green/Red - Map Sensor
- 4. Black - Ground
- 5.
- 6.
- 7. Yellow/Red - Water Temp Sensor
- 8. Yellow/Green - Lamda Sensor +
- 9. Red - +5V Output
- 10. Orange - +12V Ign Input
- 11.
- 12. Blue - Crank Sensor Signal

Connector Pinouts

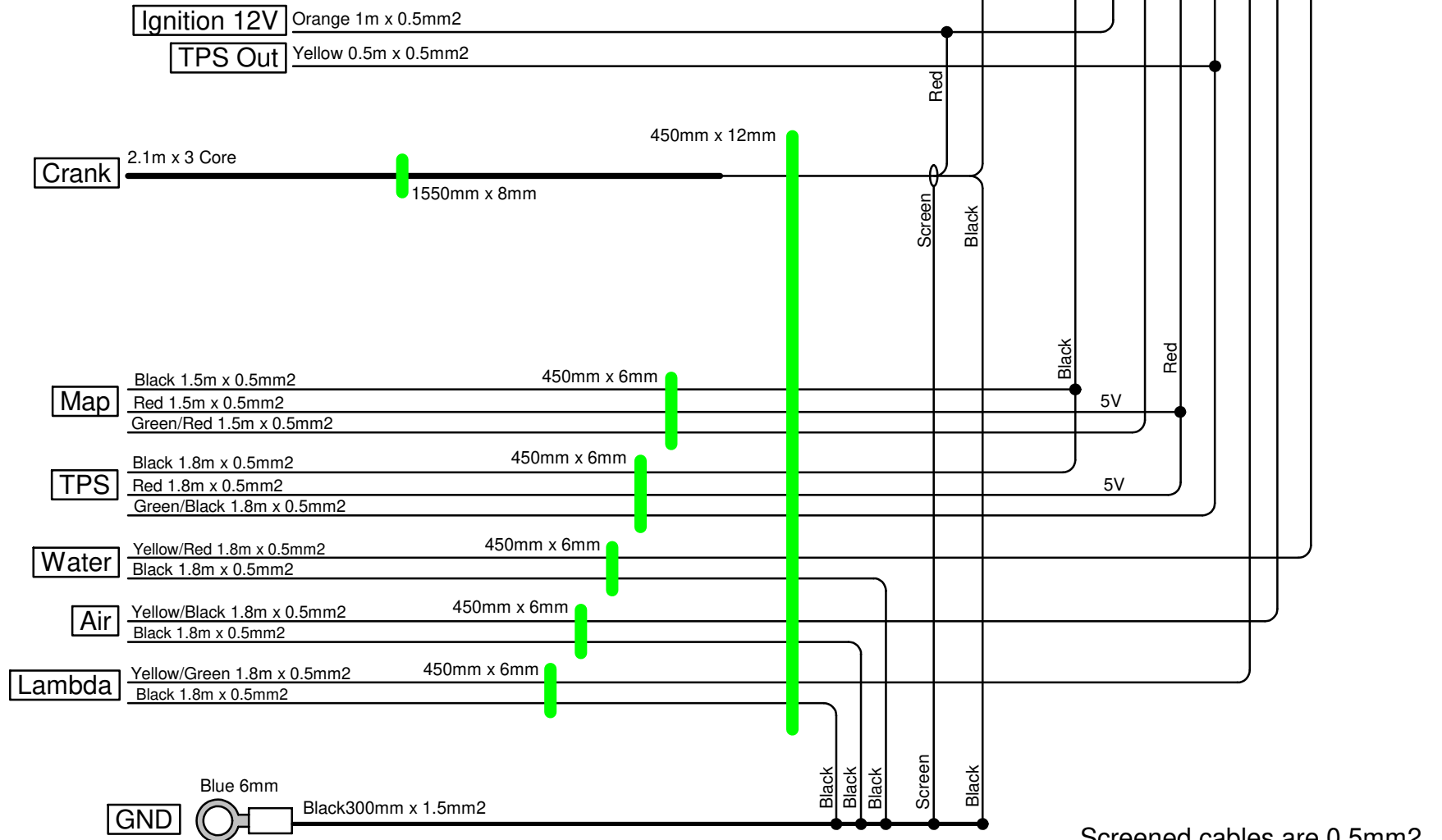
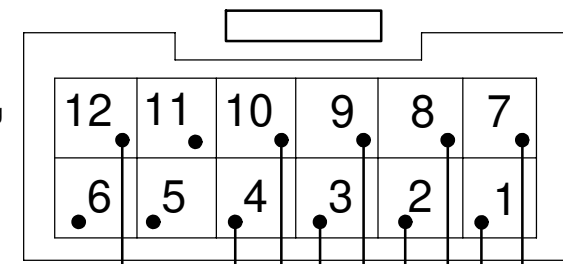
# M61 P1 Crank Input Harness Design

Last Changed: 03/11/2025

Products that can use this harness

Mercury3, Mercury2

12 Way Female Plug  
Rear View  
P/N CP-01112010  
Pins CP-01100101



Screened cables are 0.5mm<sup>2</sup>