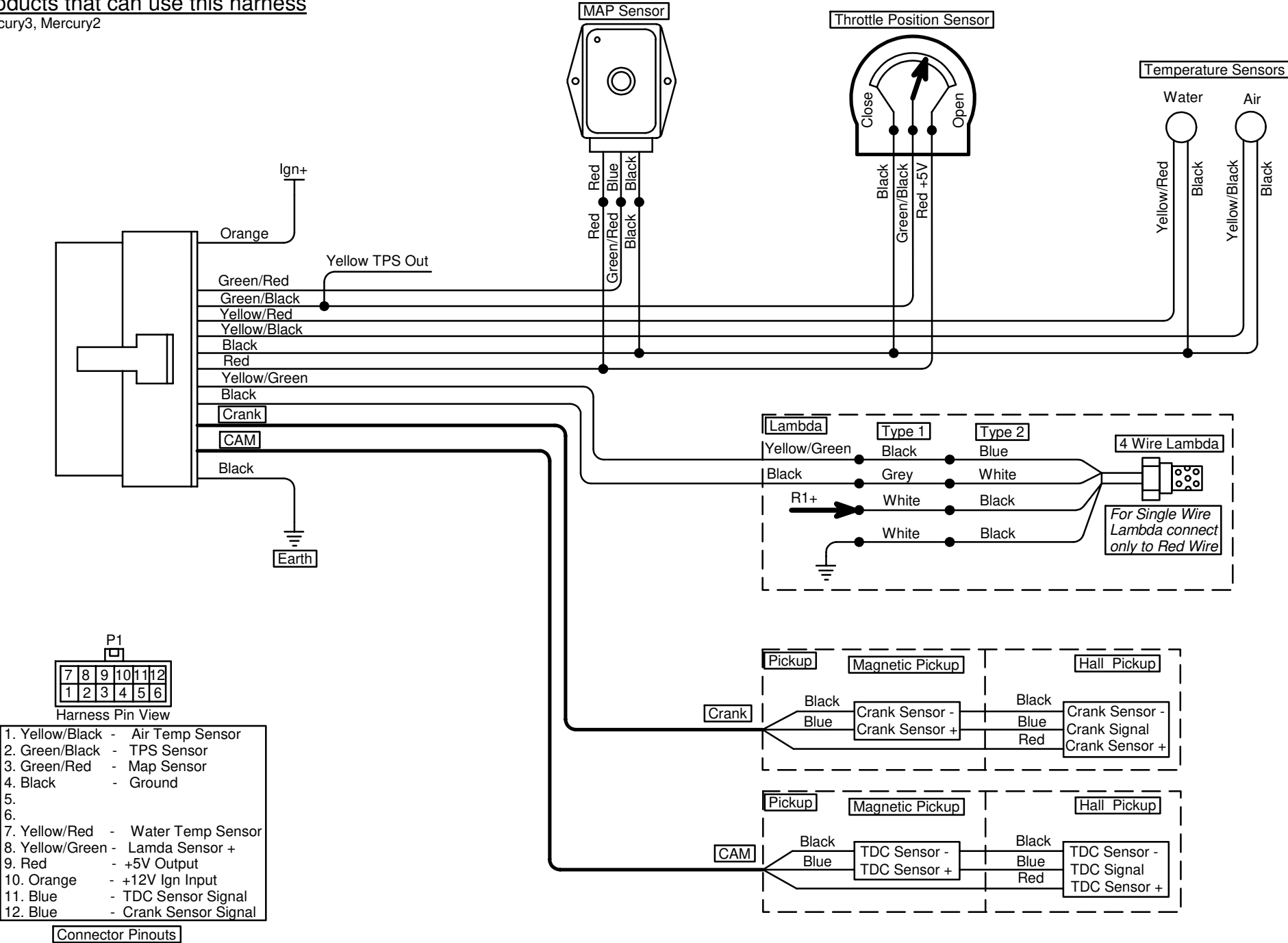


M60 P1 Crank Cam Input Harness Wiring

Last Changed: 05/03/2026

Products that can use this harness

Mercury3, Mercury2



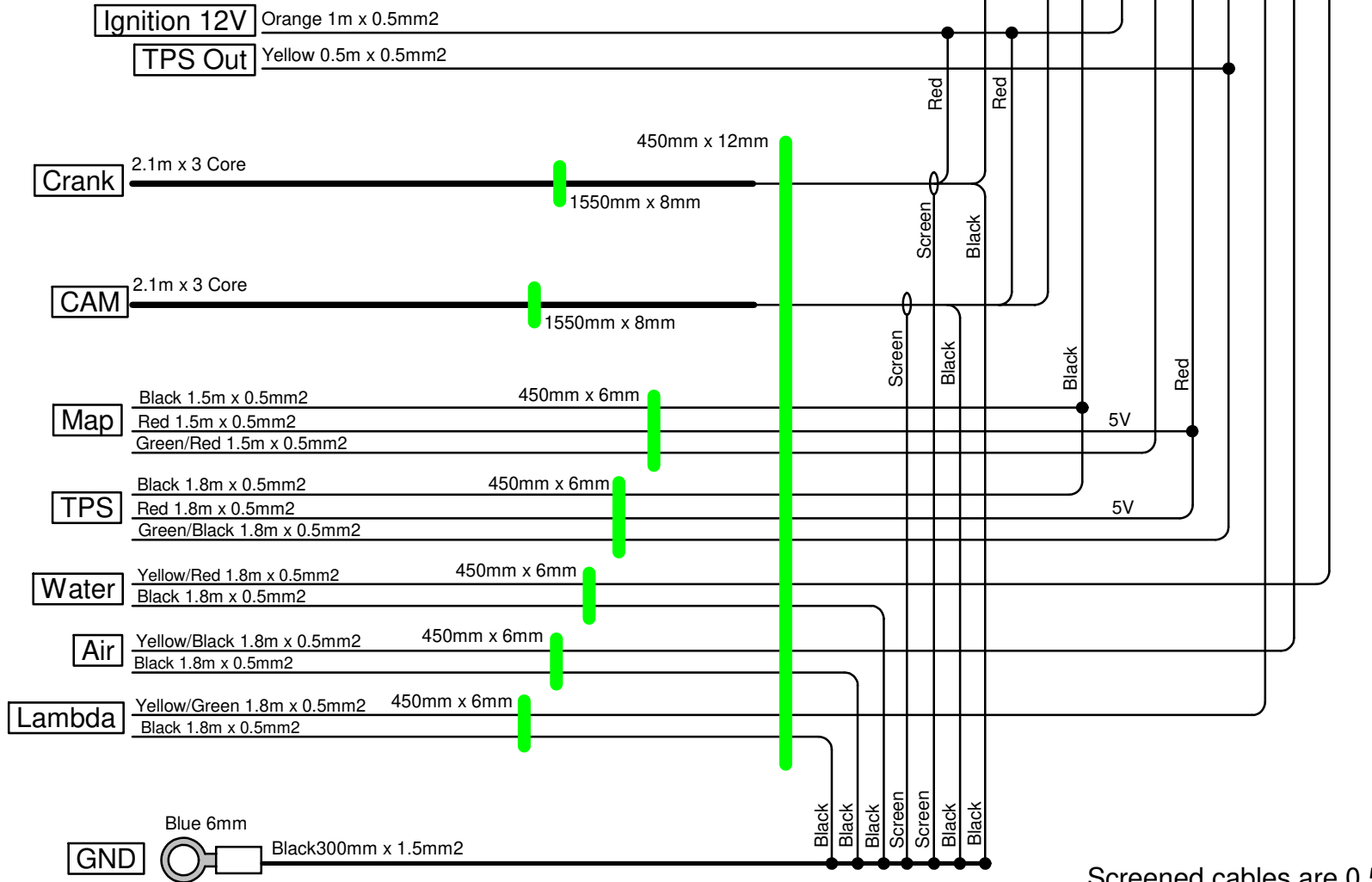
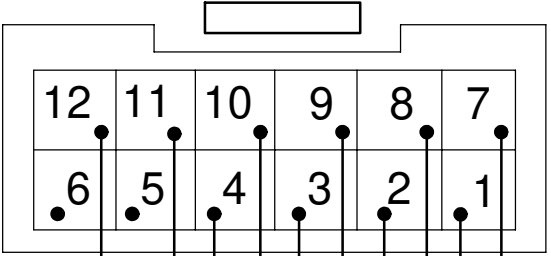
M60 P1 Crank Cam Input Harness Design

Last Changed: 17/11/2025

Products that can use this harness

Mercury3, Mercury2

12 Way Female Plug
Rear View
P/N CP-01112010
Pins CP-01100101



Screened cables are 0.5mm²